



California Faucets®

Descanso™

STYLETHERM TRIM ONLY W/ DUAL VOLUME CONTROL

Features

- All brass construction
- 100°F safety stop button with manual override
- Dual integral volume control
- 6" by 5-1/4" rectangular faceplate; flat profile
- Less head, arm, flange and spout
- Engraved brass temperature ring
- Over 30 finishes including 15 PVD finishes

Codes/Standards Applicable

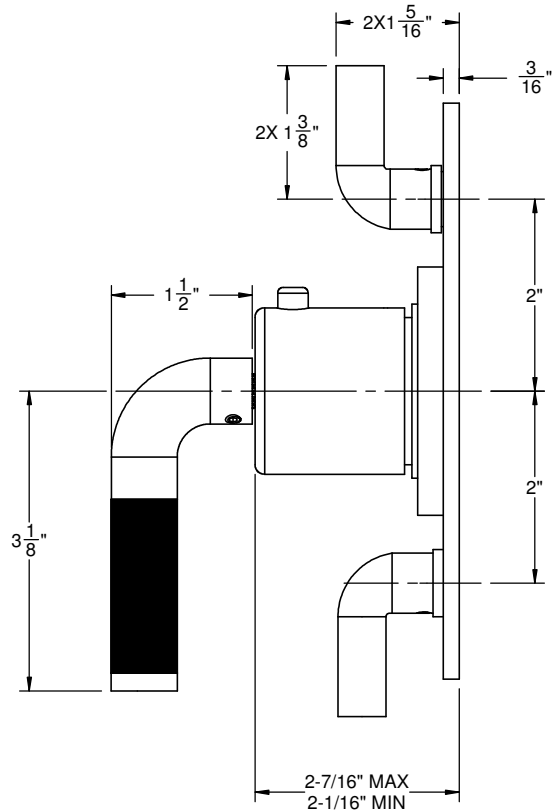
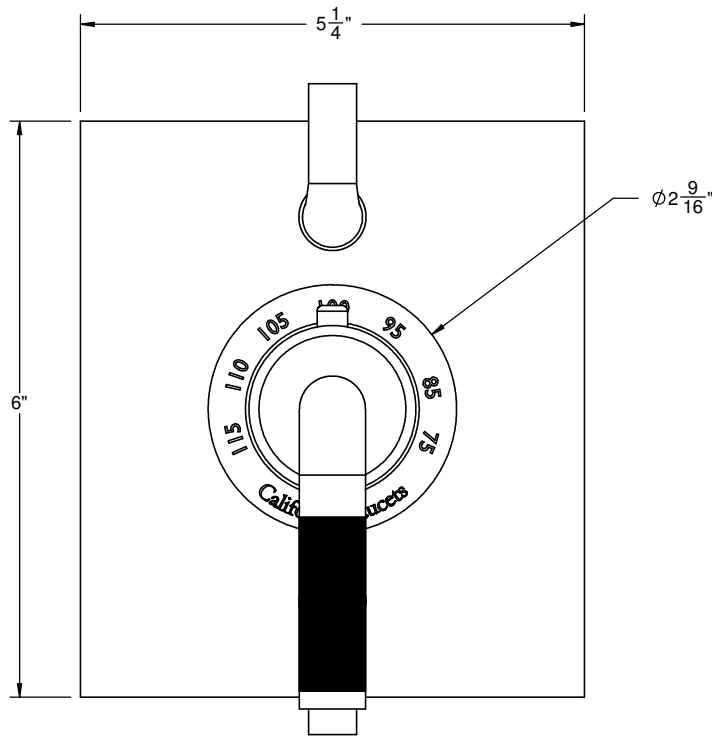
Product meets or exceeds the following:

- ASME A112.18.1/CSA B125.1
- ASSE 1016
- ADA compliant



**TO-THF2L-30K
TO-THF2L-30F**

(TO-THF2L-30K SHOWN)





California Faucets®

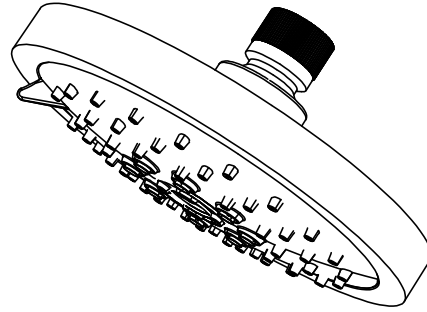
SHOWERHEAD

5-5/8" MULTI-FUNCTION CONTEMPORARY

Features

- 1/2" FIP inlet
- 3 function: rain, air & massage
- Self-cleaning rubber jets
- Solid brass pivot ball & body
- 5-5/8" diameter, gray face
- Over 30 finishes including 15 PVD finishes
- Replace .FR with desired max flow rate:
SH-083.25 for 2.5 gpm
SH-083.20 for 2.0 gpm
SH-083.18 for 1.8 gpm

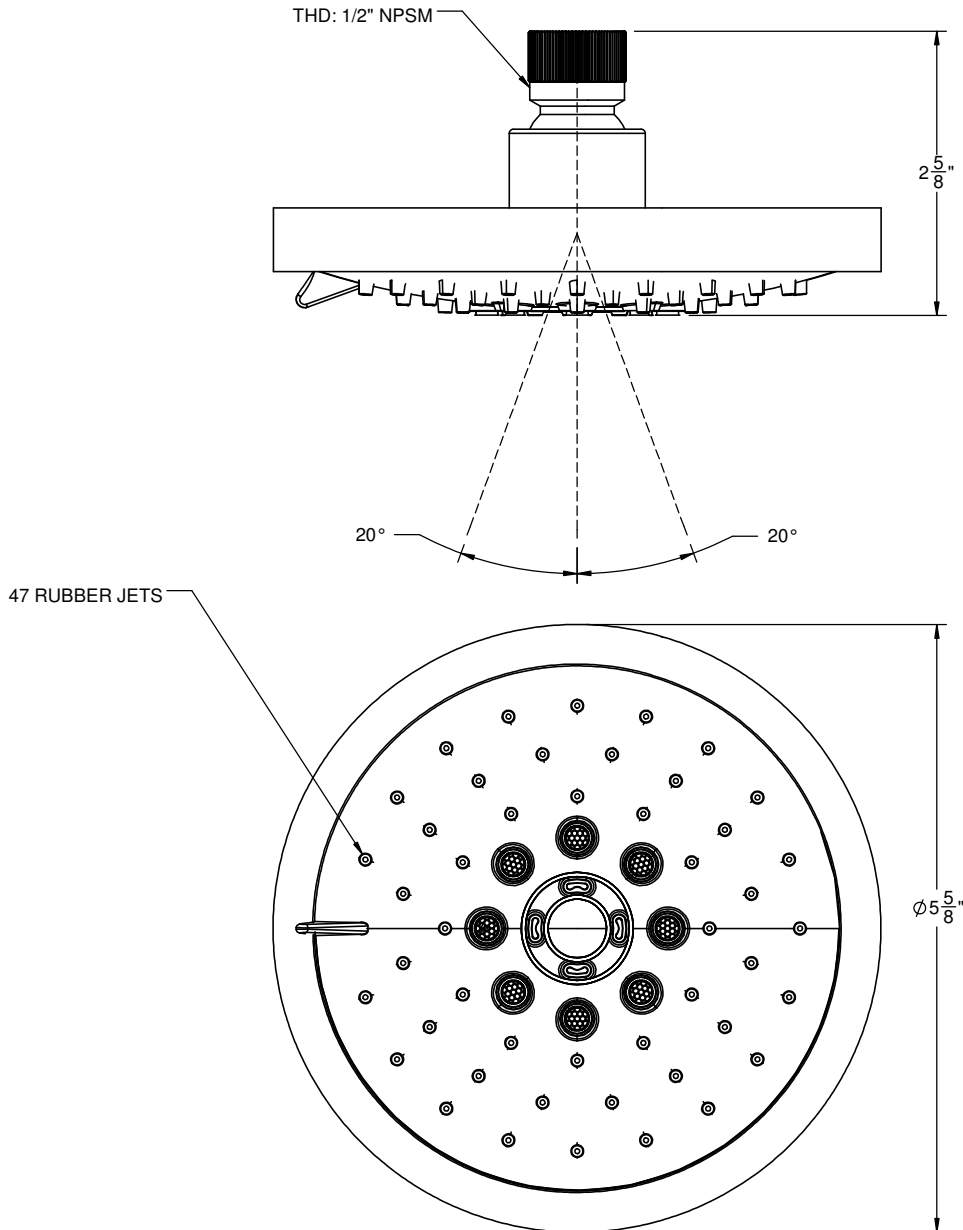
SH-083.25
SH-083.20
SH-083.18



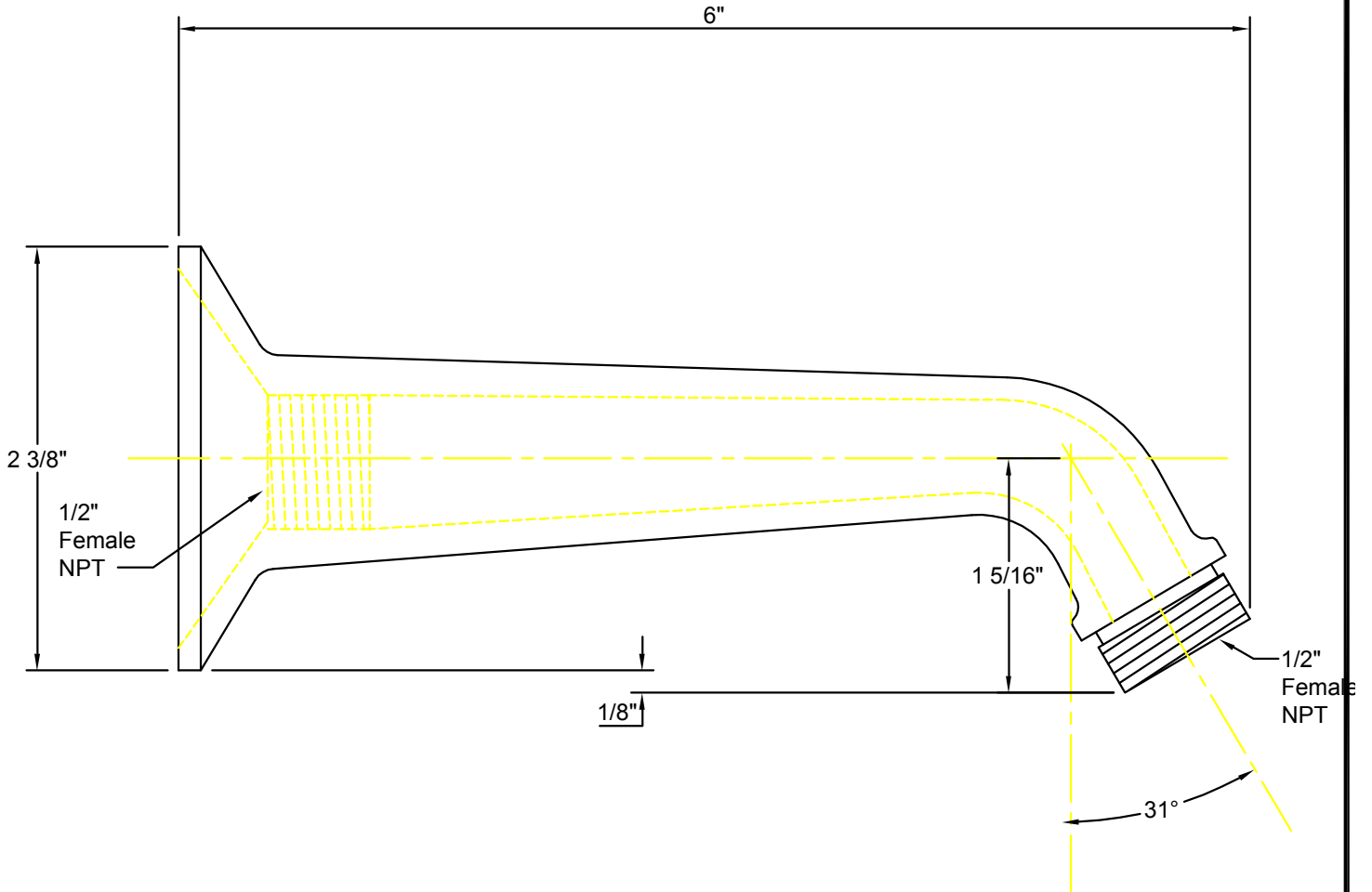
Codes/Standards

Product meets or exceeds the following:

- ASME A112.18.1/CSA B125.1
- CEC (1.8 gpm)
- DOE (2.5, 2.0, & 1.8 gpm)
- Commonwealth of MA
- EPA WaterSense Showerhead (2.0 gpm)



IMPORTANT:
All dimensions are + or -




California Faucets®
info@calfaucets.com
www.calfaucets.com

FIXTURE:
One Piece 6" Shower Arm

MODEL #: SH-01.6

DWG NO: .

REV:

REVISIONS	REV DATE	STARTING DATE:
		APPRVD DATE:
		APPRVD BY:
		SCALE: None
		DRAWN BY: William Linares william@calfaucets.com



California Faucets®

Handshower

4-1/16" BRASS MULTI-FUNCTION HANDSHOWER

Features

- 1/2" MIP inlet
- 3 function handshower: rain, air, & massage
- Self-cleaning rubber jets
- All brass body with knurled accents
- 4-1/16" diameter, gray face
- Replace .FR with desired max flow rate:
 - HS-083-30K.25 for 2.5 gpm
 - HS-083-30K.20 for 2.0 gpm
 - HS-083-30K.18 for 1.8 gpm
- Over 28 finishes including 13 PVD finishes

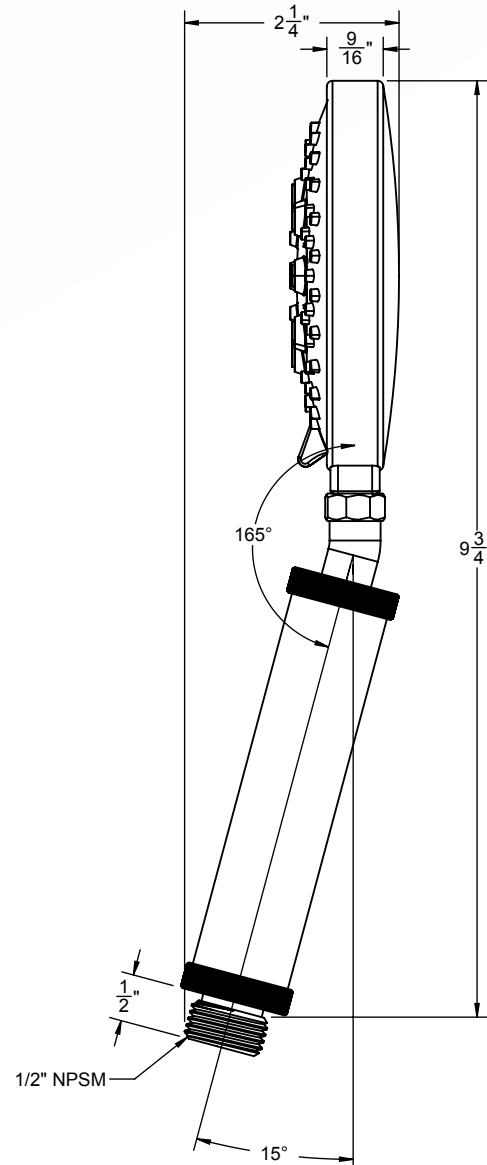
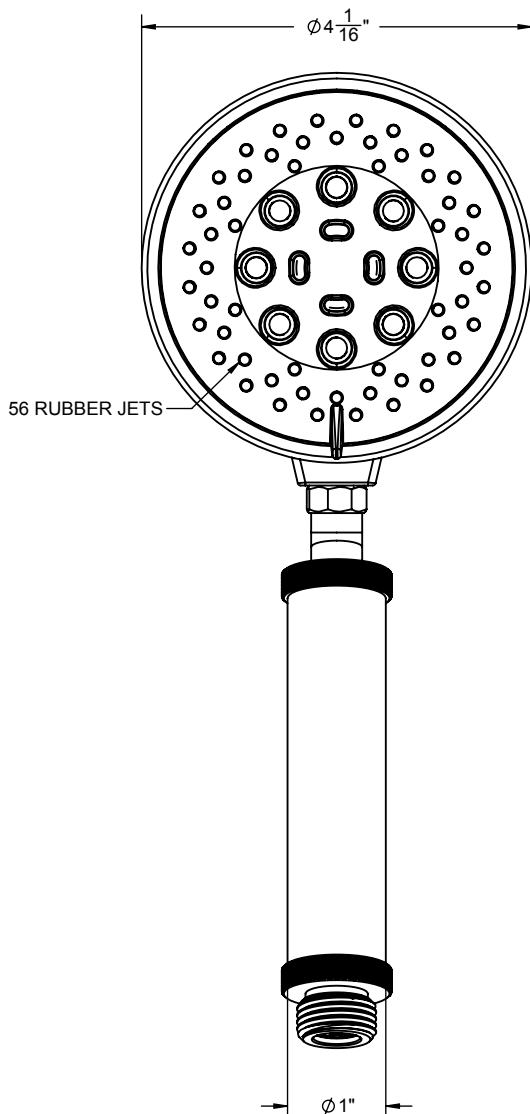
HS-083-30K.25
 HS-083-30K.20
 HS-083-30K.18



Codes/Standards Applicable

Product meets or exceeds the following:

- ASME A112.18.1/CSA B125.1
- CEC (1.8 gpm)
- DOE (1.8, 2.0 & 2.5 gpm)
- Commonwealth of MA
- EPA WaterSense (2.0 gpm)



SPECIFICATIONS SUBJECT TO CHANGE WITHOUT NOTICE

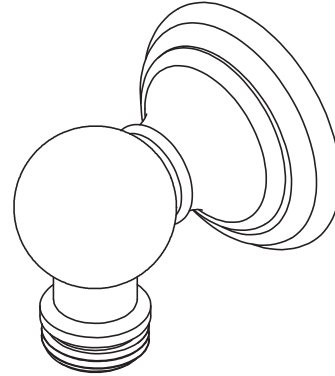
ALL DIMENSIONS SHOWN TO NEAREST 1/16"



Features

- Over 30 finishes including 14 PVD finishes
- Solid brass construction
- 1/2" NPT (female) inlet connection
- 1/2" NPSM (male) outlet connection

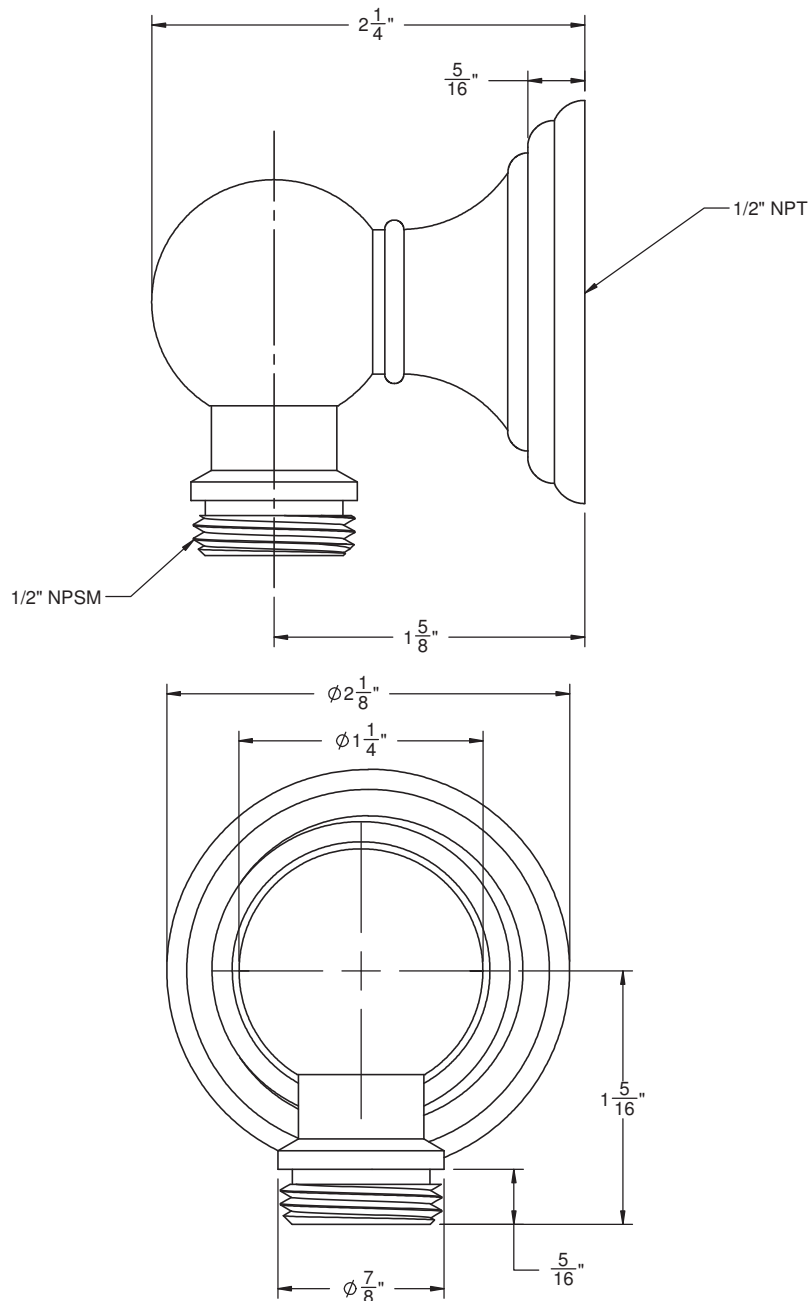
SH-10-42



Codes/Standards Applicable

Meets or exceeds the following at date of manufacture:

- ASME A112.18.1/CSA B125.1



ALL DIMENSIONS SHOWN TO NEAREST 1/16"



California Faucets®

SLIDE BAR

TRADITIONAL HANDSHOWER SLIDE BAR

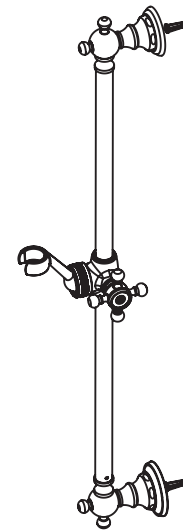
Features

- Over 30 finishes including 15 PVD finishes
- All brass construction
- Matching handle & escutcheon for all California Faucets series
- Bar pivots 180° without loosening slide handle
- Handshower holder slides up and down on bar
- Handshower holder angle is adjustable
- Handshower holder accepts conical end of hose
- Right or left handed based on installation
- Includes all mounting hardware

Codes/Standards Applicable

Product meets or exceeds the following:

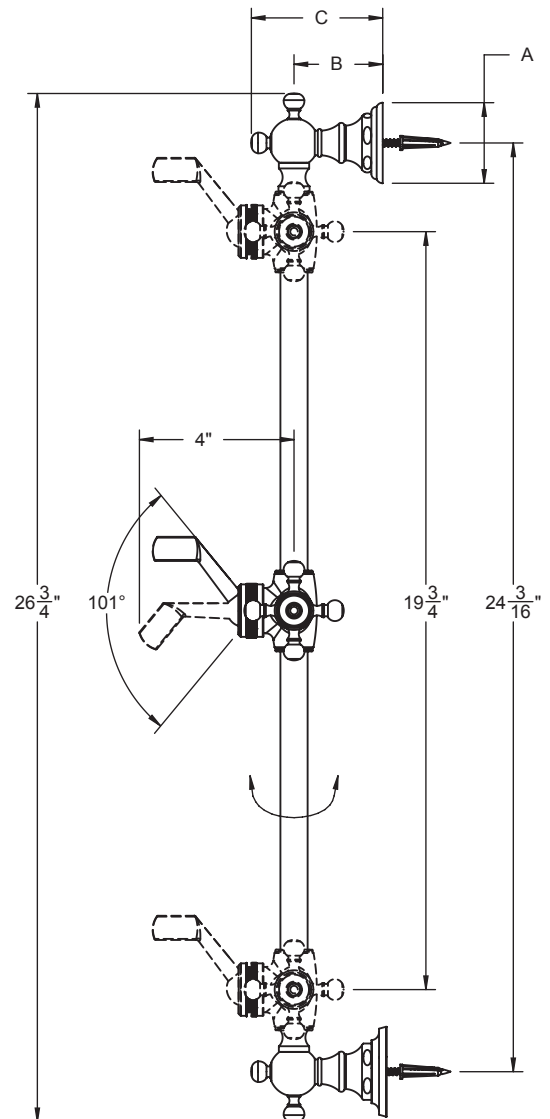
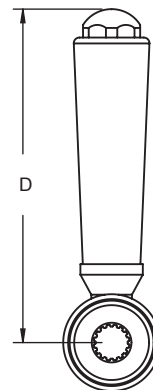
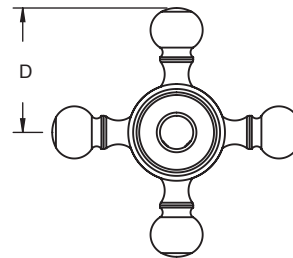
- ASME A112.18.1/CSA B125.1
- ADA (all lever handles)



SB-XX

XX = SERIES HANDLE

TABLE (ALL DIMENSIONS SHOWN IN INCHES)				
SERIES	A	B	C	D
30	$2\frac{5}{16}$	$2\frac{7}{16}$	$3\frac{9}{16}$	3
30K, 30F	$2\frac{5}{16}$	$2\frac{7}{16}$	$3\frac{9}{16}$	$3\frac{1}{8}$
30X, 30XK, 30XF	$2\frac{5}{16}$	$2\frac{7}{16}$	$3\frac{9}{16}$	$1\frac{1}{2}$
33	$2\frac{1}{8}$	$2\frac{9}{16}$	$3\frac{11}{16}$	$3\frac{1}{2}$
34	$2\frac{1}{8}$	$2\frac{9}{16}$	$3\frac{11}{16}$	$1\frac{1}{8}$
35	$2\frac{1}{8}$	$2\frac{9}{16}$	$3\frac{11}{16}$	$3\frac{7}{16}$
36	$2\frac{1}{8}$	$2\frac{9}{16}$	$3\frac{11}{16}$	$3\frac{1}{16}$
38	$2\frac{7}{8}$	$2\frac{11}{16}$	$3\frac{3}{4}$	$2\frac{7}{8}$
40	$2\frac{13}{16}$	$2\frac{5}{8}$	$3\frac{3}{4}$	$3\frac{1}{4}$
42	$2\frac{13}{16}$	$2\frac{5}{8}$	$3\frac{3}{4}$	$2\frac{15}{16}$
44	2	$2\frac{7}{8}$	$4\frac{1}{16}$	$2\frac{15}{16}$
45	$2\frac{5}{16}$	$2\frac{5}{16}$	$3\frac{3}{8}$	3
46	$2\frac{5}{16}$	$2\frac{3}{8}$	$3\frac{1}{2}$	$3\frac{7}{16}$
47	$2\frac{5}{16}$	$2\frac{3}{8}$	$3\frac{1}{2}$	$3\frac{1}{8}$
48	$2\frac{5}{16}$	$2\frac{5}{16}$	$3\frac{13}{16}$	$3\frac{1}{8}$
48X	$2\frac{5}{16}$	$2\frac{5}{16}$	$3\frac{13}{16}$	$1\frac{1}{2}$
50	$2\frac{9}{16}$	$2\frac{5}{16}$	$3\frac{3}{8}$	$2\frac{13}{16}$
51	$3\frac{1}{4}$	$2\frac{11}{16}$	$3\frac{13}{16}$	$1\frac{1}{16}$
55	$2\frac{13}{16}$	$2\frac{5}{8}$	$3\frac{3}{4}$	$3\frac{5}{16}$
59	$2\frac{13}{16}$	$2\frac{13}{16}$	$3\frac{7}{8}$	3
60	$2\frac{1}{8}$	$2\frac{5}{16}$	$3\frac{7}{16}$	$1\frac{5}{16}$
63	$2\frac{5}{16}$	$2\frac{3}{8}$	$3\frac{1}{2}$	$1\frac{9}{16}$
64	$2\frac{13}{16}$	$2\frac{13}{16}$	$3\frac{7}{8}$	$3\frac{5}{16}$
67	$2\frac{1}{8}$	$2\frac{5}{16}$	$3\frac{7}{16}$	$1\frac{1}{8}$
68	$2\frac{1}{8}$	$2\frac{9}{16}$	$3\frac{11}{16}$	$3\frac{3}{8}$
69	$2\frac{1}{8}$	$2\frac{9}{16}$	$3\frac{11}{16}$	$3\frac{1}{2}$



ALL DIMENSIONS SHOWN TO NEAREST 1/16"



California Faucets®

Handshower

HANDSHOWER HOSE

Features

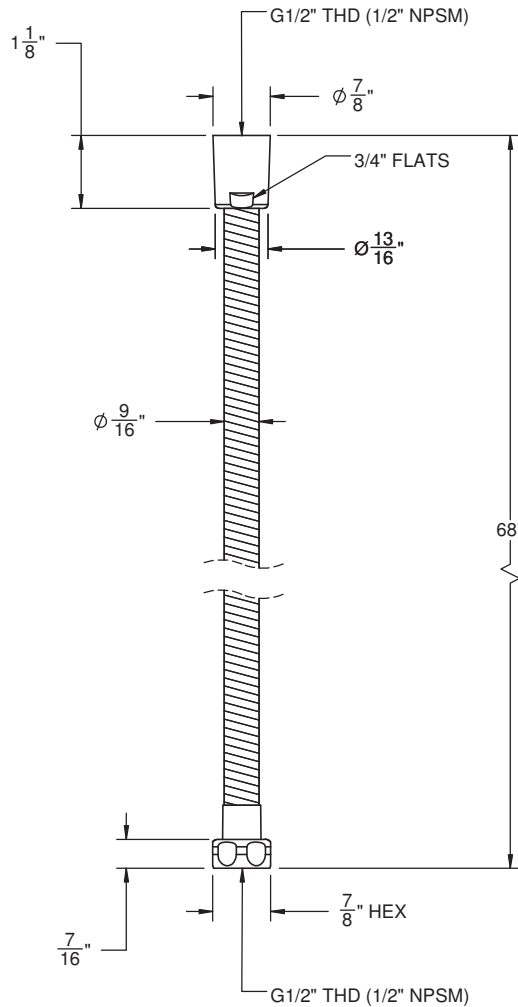
- 1/2" FIP inlet
- 1/2" FIP outlet
- Double spiral out hose for added strength
- Solid brass construction
- Over 30 finishes include 16 PVD finishes

Codes/Standards Applicable

Meets or exceeds the following at date of manufacture:

- ASME A112.18.1/CSA B125.1

HS-68



ALL DIMENSIONS SHOWN TO NEAREST 1/16"